

Fig No. N-620 Full Bore
1/4" ~ 4" DN8 ~ 80



Features :

Two Piece body design
Investment cast Component, Blow-out-proof Stem
For Industrial, chemical application
Carbon Steel & Super Alloy upon request

Standard Compliance :

Body wall thickness : ASTM B16.34
Threaded end : ANSI B1.20.1(NPT)
BSP
BSPT
DIN259
DIN 2999

Face to Face : MD's Standard
Body Material : ASTM A351 GR.CF8M
Pressure Testing : API 598

Specification

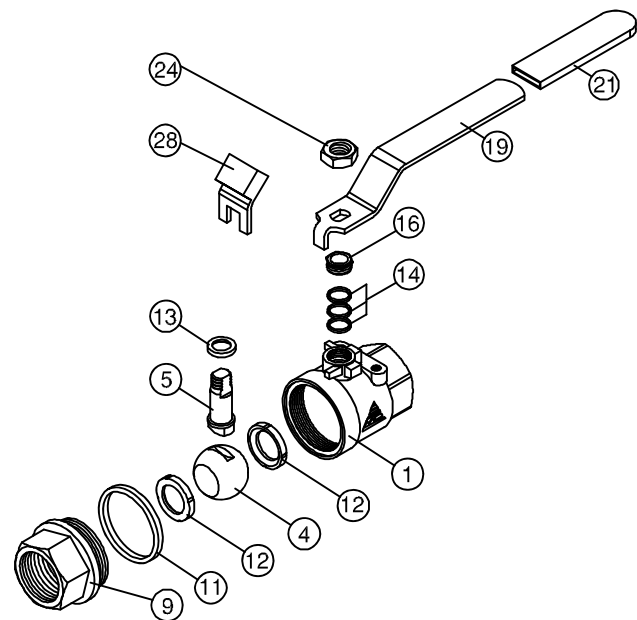
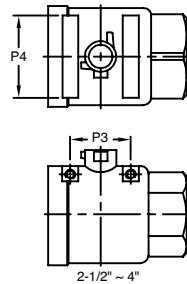
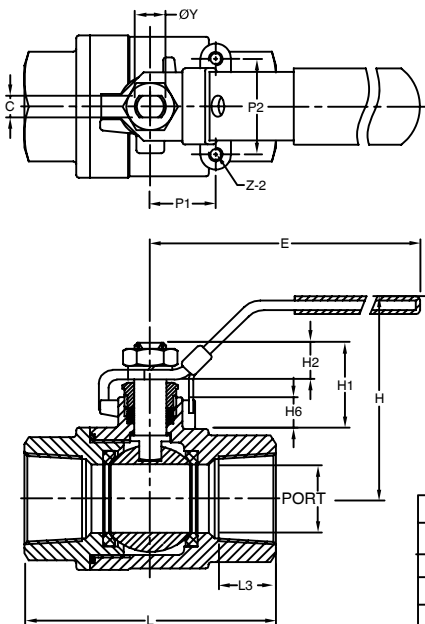
End Connection : Threaded end
Working Pressure : 1000PSI (CWP)
Temperature : -20 ~ 180° C

Option :

1. Locking Device

MATERIALS LIST

NO.	PART NAME	MATERIAL
1	BODY	ASTM A351 Gr.CF8M
4	BALL	ASTM A351 Gr.CF8M
5	STEM	SS316
9	END CAP	ASTM A351 Gr.CF8M
11	BODY SEAL	PTFE.
12	SEAT	PTFE.
13	THRUST WASHER	PTFE.
14	STEM PACKING	PTFE.
16	GLAND NUT	SS304
19	HANDLE	SS304
21	HANDLE COVER	PLASTIC
24	HANDLE NUT	SS304
28	LOCKING DEVICE	SS304(OPTION)



DIMENSIONS

unit:mm

SIZE	PORT	L	L3	E	H	H1	H2	H6	C	ØY	P1	P2	P3	P4	Z
DN6	1/8"	8.5	55	10	100	50	22.3	9.8	8	5	8	12.7	28.5		10-24UNC
DN8	1/4"	11.5	55	15	100	50	22.3	9.8	8	5	8	12.7	28.5		10-24UNC
DN10	3/8"	12.5	55	15	100	50	22.3	9.8	8	5	8	12.7	28.5		10-24UNC
DN15	1/2"	15.0	65	16	130	60	25.6	11.0	10.5	6.5	9.5	12.7	28.5		10-24UNC
DN20	3/4"	20.0	74.6	17	130	64	25.6	11.0	10.5	6.5	9.5	22.4	35.0		10-24UNC
DN25	1"	25.0	88	20.4	165	71	31.5	13.5	11.5	8	11	23.4	35.0		10-24UNC
DN32	1-1/4"	32.0	102	22	165	78	31.5	13.5	11.5	8	11	25.4	38.1		1/4-20UNC
DN40	1-1/2"	38.0	110	22.5	190	86	35.1	15.6	12	9.7	14	25.4	38.1		1/4-20UNC
DN50	2"	50.0	125	26	190	95	30.6	15.6	9.5	9.7	14	25.4	38.1		1/4-20UNC
DN65	2-1/2"	65.0	160.6	31	250	130	54.2	24.5	17	12	19		59	61	1/4-20UNC
DN80	3"	80.0	178	34	250	148	55.2	24.5	18	12	19		70	71	1/4-20UNC
DN100	4"	100.0	240	43	280	175	57.4	24.5	20.8	15	19		100	78.5	1/4-20UNC